

Service instructions for HO-Matic pinch valves series 50/51

Removal of the defective sleeve

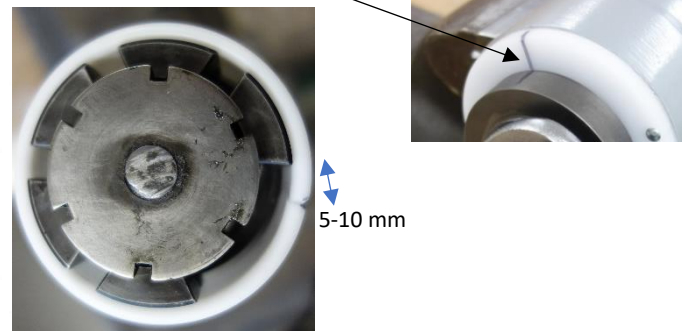
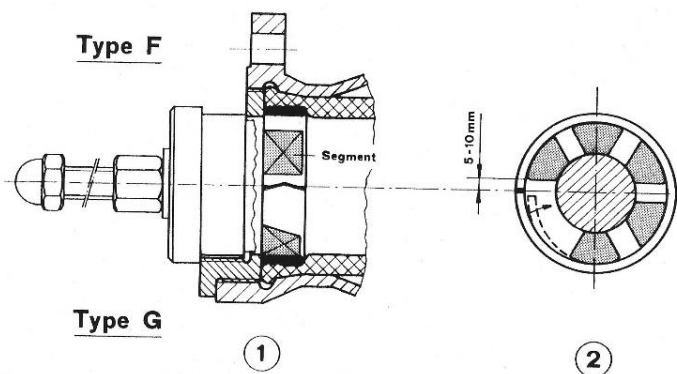
- 1 Clamp the pinch valve horizontally in a vice.



- 2 Remove the bevelled segment on the HO-Matic assembly tool.



- 3 Insert the assembly tool according to diagrams 1+2 into the pinch valve as far as the stop, align and fix.
Tip: first mark the exact position of the bevelled tip of clamping ring on the valve body and assembly tool!
(see picture)



- 4 Hold the device in this position and tighten with a wrench until the clamping ring snaps out.



- 5 Now release the device and withdraw.

- 6 Remove the elastic clamping ring in the form of a spiral.

- 7 Repeat the same process on the other side of the valve.

- 8 mark the position of the torsion pin on both sides of the valve!
Remove the torsion pins from the threaded rings.
Now unscrew the flanged rings (threaded rings).



- 9 The defective sleeve can now be pulled out of the housing.

Installation of the new sleeve

a) Preparation

10 Thoroughly clean all valve parts.

11 On one side of the housing, screw in the flanged ring (threaded ring) that the flanged ring is flush on the outside with the flange and the holes for the torsion pin in the threaded ring and in the housing coincide.



12 Now insert the sleeve into the housing.

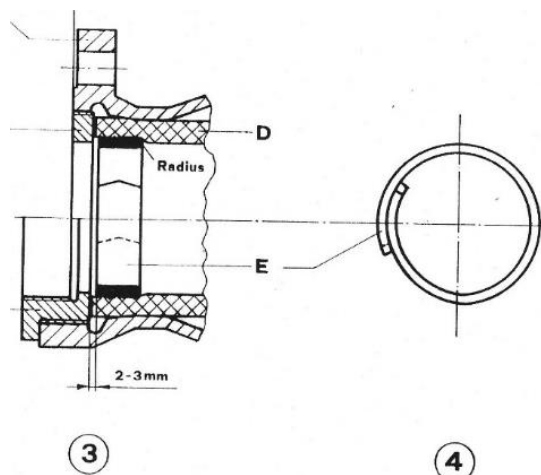
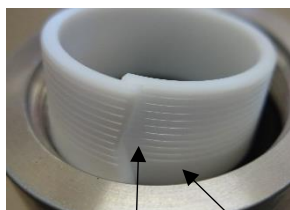
13 On the other housing side, screw in the flanged ring (threaded ring) and align as described above. Insert the torsion pins again.



14 Important! in the area of the clamping part, the inside of the sleeve should be moistened with a little water or rubber care agent (no grease or oil!).



15 Press the two clamping rings in the form of a spiral into the sleeve as shown in diagrams 3+4 and align.



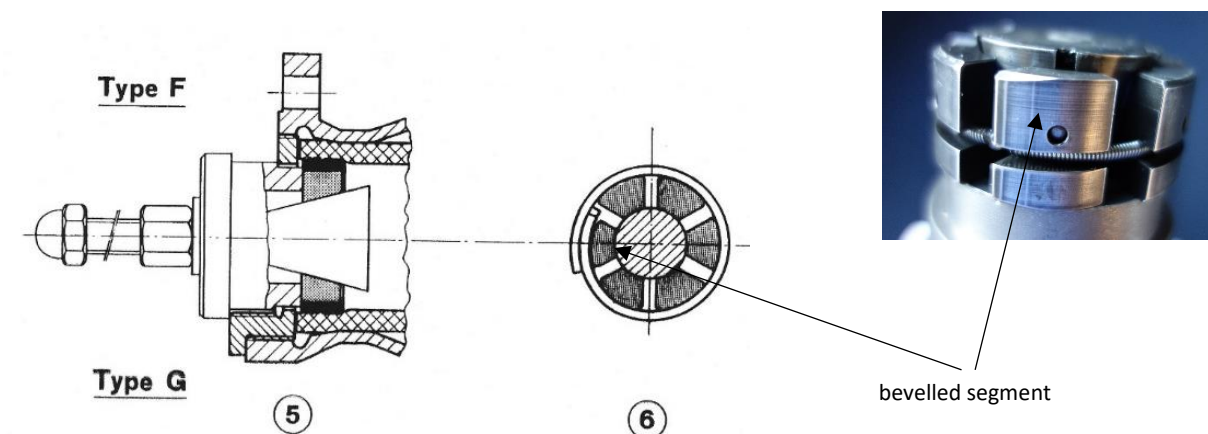
-side with radius on clamping ring towards valve centre

-bevelled tip of clamping ring towards centre of opening

16 Clamp the valve horizontally in a vice.

b) Clamping process

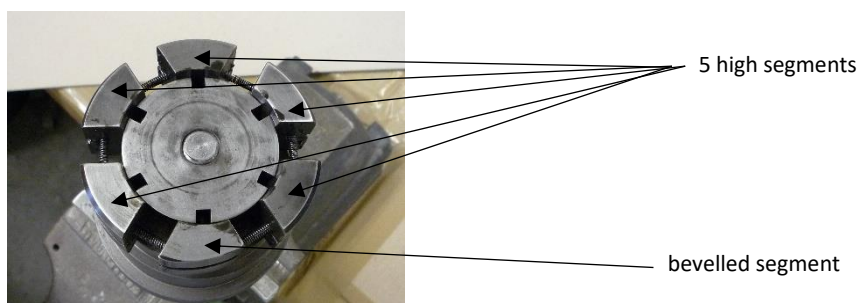
- 17 Insert the assembly tool (clamping device) with the bevelled segment into the pinch valve as far as the stop as shown in diagrams 5+6, align and fix.



- 18 Hold the device in this position and tighten with a wrench until the clamping ring snaps in audibly, as shown in diagram 7.
- Note! during the clamping process, the device must be pressed firmly against the valve and must not turn.



- 19 Now slightly release the clamping device and turn so that one of the five high segments is above the closure of the clamping ring; then tighten a little again: the clamping ring thus acquires its final round shape.



- 20 the valve is now ready again for operation

required HO-Matic assembly tool



DN40, art.no. 5040.10
 DN50, art.no. 5050.10
 DN65, art.no. 5065.10